

CUSTOMER TECHNICAL MEMO # 207

Subject: Technical Manual update – ecoFRAMEplus 101.6mm

Date: 20-06-2014

Good Afternoon,

Please note the following revisions have been made to the ecoFRAMEplus 101.6mm Manual.

Page 1.0 – Technical Manual Release Notes revised.

Page 3.4.3 – Typical Transom Details page heading updated.

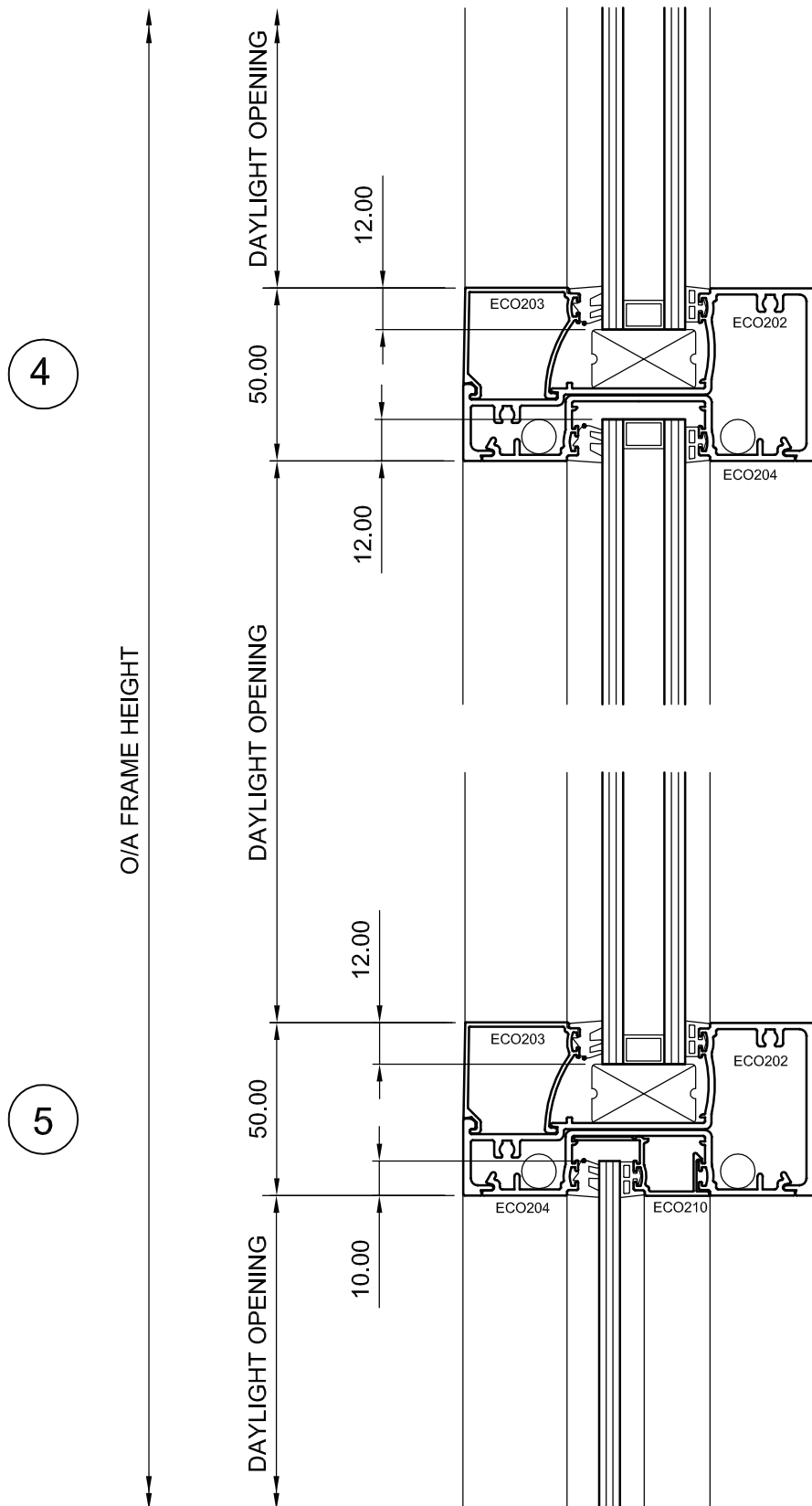
Page 3.4.4 – Typical Jamb and Mullion Detail page heading updated.

The above revised manual dated June 2014 can be found on the ALSPEC website.

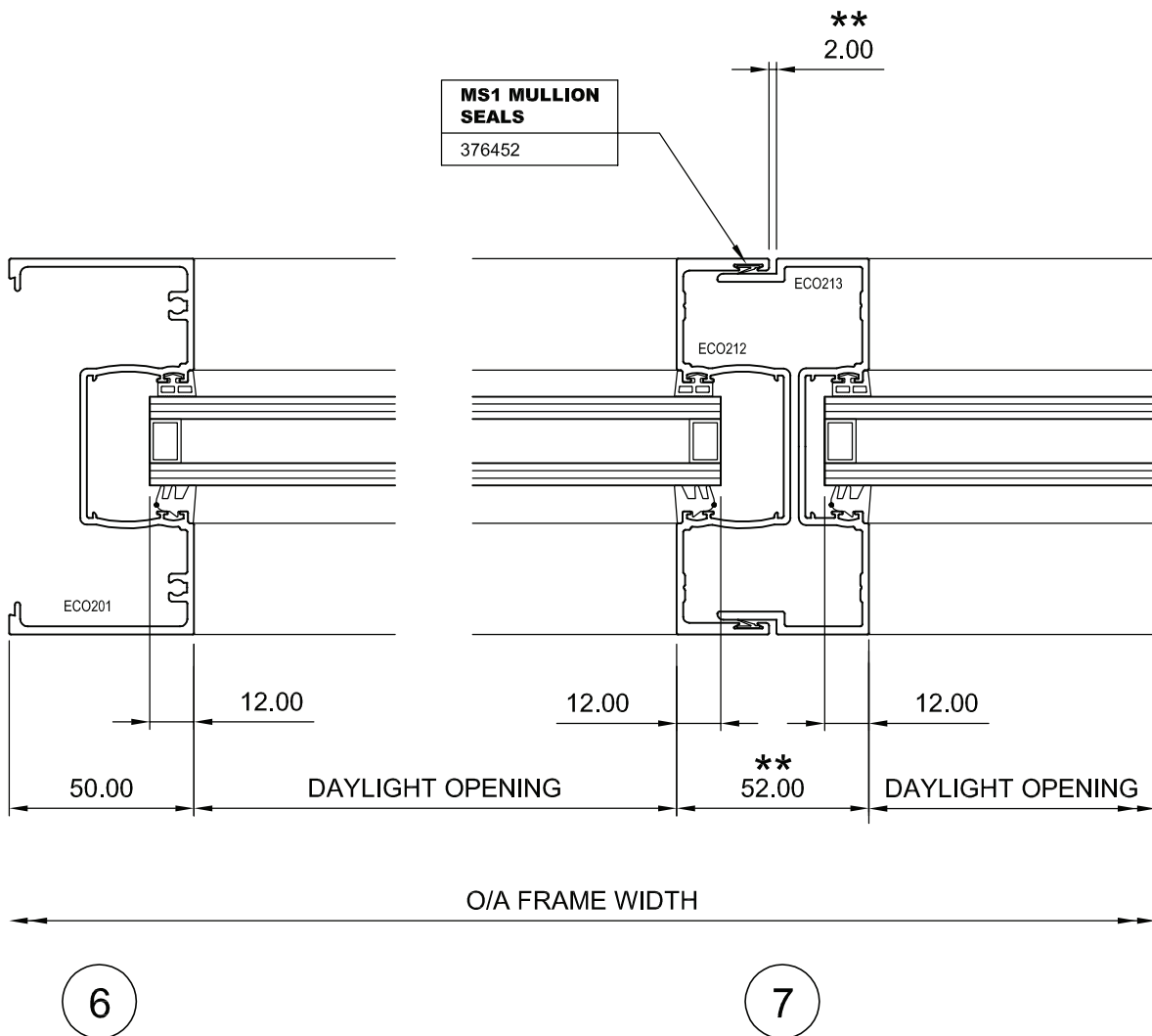
Please note all the above pages are included with this Technical Memo. The format has been set for double sided printing so you will be able to easily replace the pages in your manuals. However, you will need to ensure your printer is set to double-sided printing for this to work.

Regards,
Product Development

TYPICAL TRANSOM DETAILS



TYPICAL JAMB AND MULLION DETAIL



**** NOMINAL DIMENSIONS ONLY. MAY VARY DUE TO PROJECT REQUIREMENTS**